

Patent Application

A method for acoustic antenna

Sketches

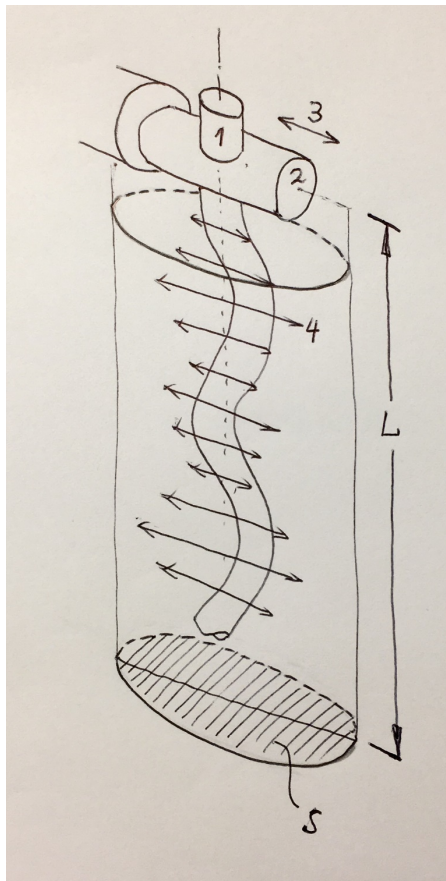


Figure 1

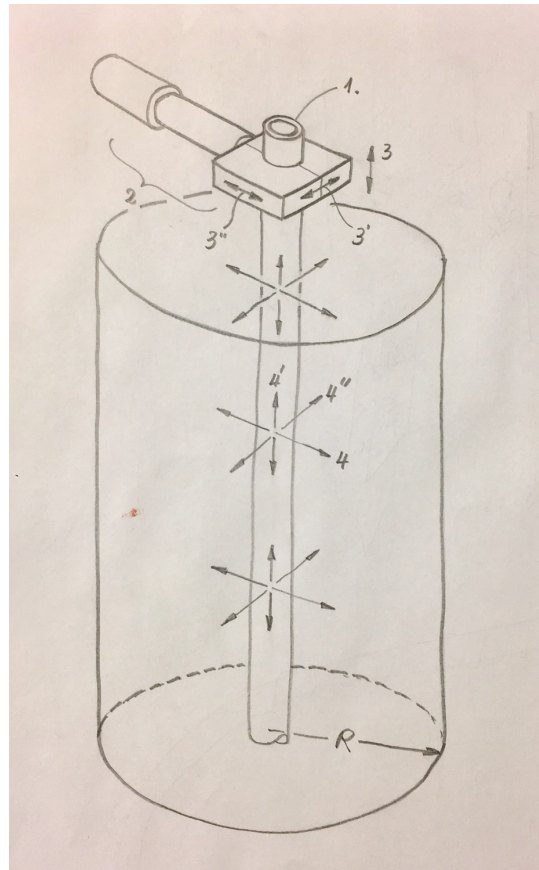


Figure 2

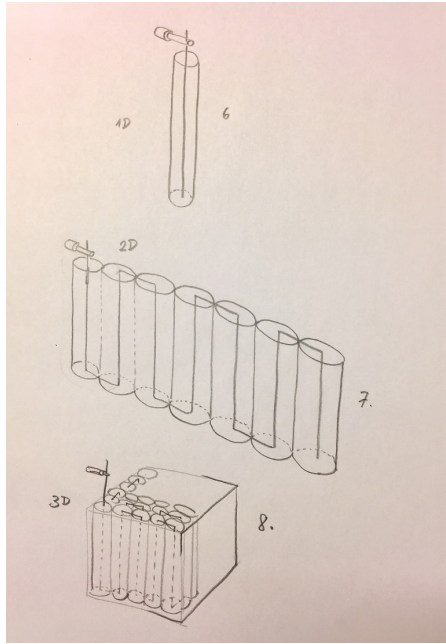


Figure 3

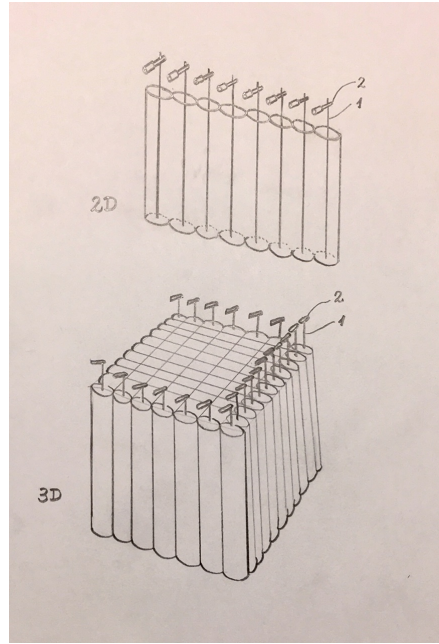


Figure 4